

### Dowel Bar

The most traditional system for load transfer is a smooth dowel that has been sheared or saw cut to customer's specified length. Dowel Bars are steel bars that provide a mechanical connection between slabs without restricting horizontal joint movement. They increase load transfer efficiency by allowing the leave slab to assume some of the load before the load is actually over it. This reduces joint deflection and stress in the approach and leave slabs.

Dowel Bars are inserted at mid-slab depth and coated with a bond-breaking substance to prevent bonding to the PCC. Thus, the dowels help transfer load but allow adjacent slabs to expand and contract independent of one another. FABco can produce Dowel Bars in 1/4" diameter up to 10" diameter.

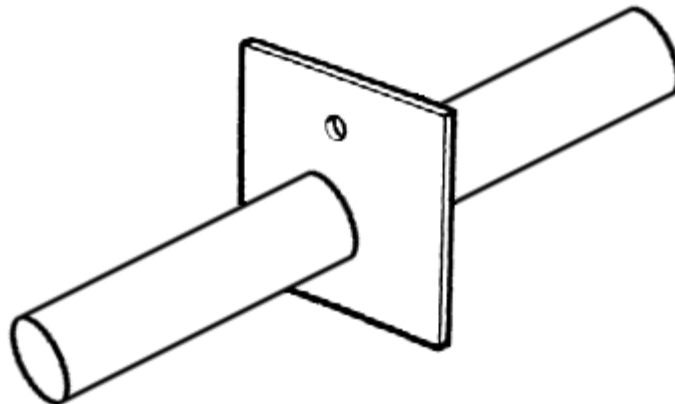


### Econo Load

The FABco Econo Load was developed to spur against the loss of load effectiveness. Loss of load transfer occurs when dowels become loose. Each load induces bearing pressures on the dowel bars and these pressures stress the concrete embedding in the bar. Pressure over time can break down the concrete resulting in a void around the bar. Once loose, dowel bars are no longer effective and allow more differential slab deflection under load. The chief culprit of this problem is proper load transfer placement.

The FABco Econo Load is a traditional dowel bar with a square plate measuring 1-1/2" x 2-1/2" welded directly to the steel bar. The plate includes a nail hole punched into it allowing for fastening directly to the forms. By "hanging" the Econo Load, the contractor can ensure proper height and perpendicular placement of the load transfer.

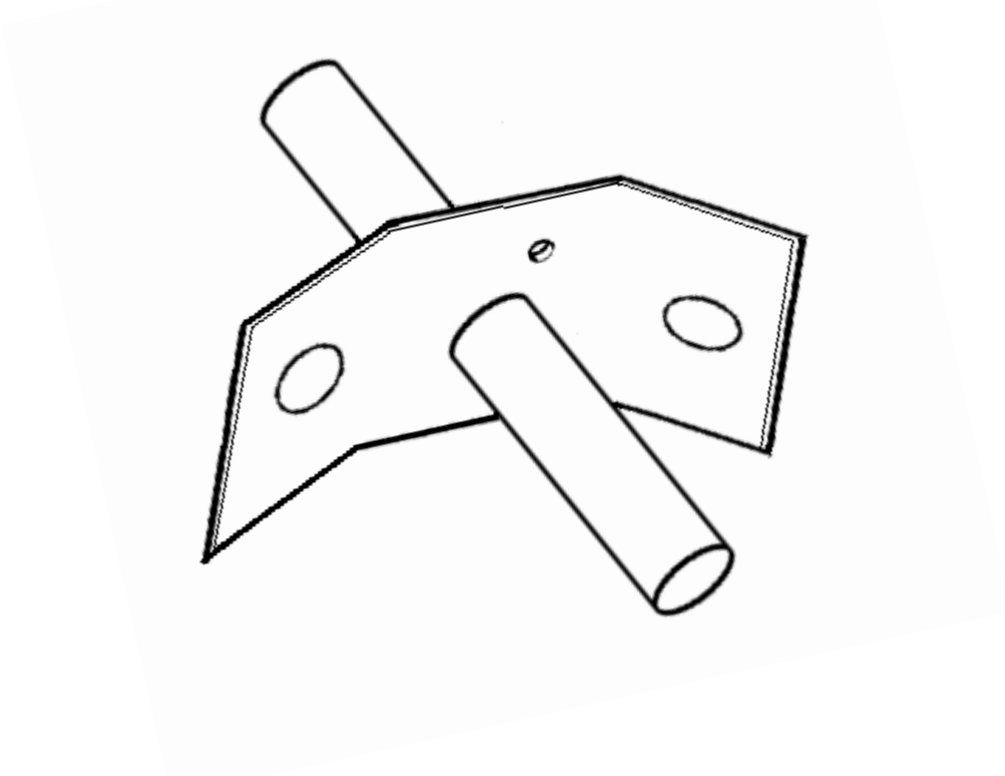
FABco can manufacture any length Econo Load as needed by the customer up to a 2-1/2" bar diameter.



### Wing Load

The FABco Wing Load allows for maximum load transfer and optimum placement along the approach slab edge. The “wing” plate increases the concrete exposure to the load transfer assembly, thereby, reducing bearing pressures on the dowel bar.

FABco Wing Loads can be manufactured in any length and up to 1-1/4” diameter.



Please feel free to contact us with any questions, comments, or concerns. We pride ourselves in being flexible to accommodate any of our customers needs in a timely and economically competitive manner.

Provided with all of our products is material certification and test reports.