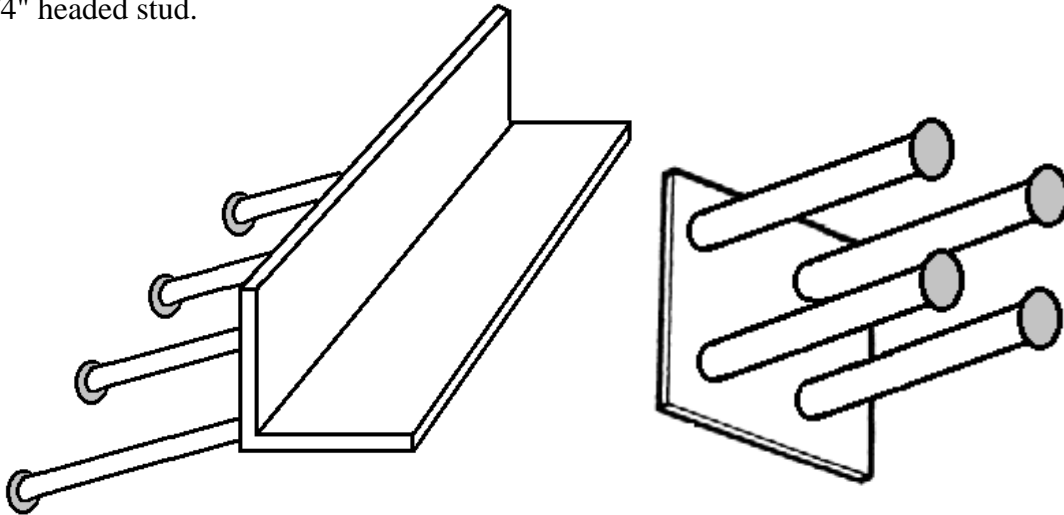


FABco Embeds

FABco produces embeds for the Petro-Chemical, Industrial, and Commercial industries.

FABco manufactured embeds utilize studs welded to a plate or angle. The studs are to be “embedded” in concrete for support.

FABco Embeds are made solely to customer specification. Typical use is a 1/2", 5/8" or 3/4" headed stud.



Please feel free to contact us with any questions, comments, or concerns. We pride ourselves in being flexible to accommodate any of our customers needs in a timely and economically competitive manner.

Provided with all of our products is material certification and test reports.